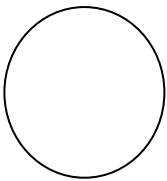
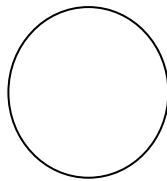


**Title: Blood Types and Heredity**

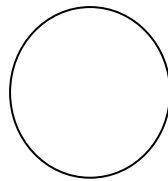
**Introduction:** British physician James Blundell recorded the first blood transfusions in 1825. About half of his patients benefited from them but many had severe reactions and several died. Would you have volunteered for a transfusion given these odds? After careful investigation it was discovered that blood cells contain surface proteins on the cell membrane that identify 4 different blood types. A has “A” surface proteins, B has “B” surface proteins, AB has both “A” and “B” surface proteins and O blood has no marker proteins on the cell membrane. Add the surface proteins to the drawings of blood cells below:



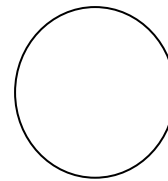
A



B



AB



O

Later experiments showed that not all blood types can be mixed together without a clumping reaction that occurs when a “foreign invader” enters a human body. Our immune system “knows” which cells belong in our body. It is able to recognize intruding cells and kill them. Some blood types are recognized as foreign and the clumping reactions occur that may harm the patient.

In this activity, you will find out which types of blood are safe to transfuse into people with different blood types. You will also see how blood types are genetically determined.

**Prediction:** Which type of blood might be safe to put in anyone?

**Activity:**

We will be virtually typing and then picking blood to transfuse into patients.

Fill in the data as you move through the game.

Go to this website:

<http://www.nobelprize.org/educational/medicine/bloodtypinggame/game/index.html>

and click on **Quick Game**

**DATA**

**Patient 1**

What is in test tube A?

What will these antibodies react with (agglutinate)?

What is in test tube B?

What will these antibodies react with (agglutinate)?

What is in the Rh test tube?

What will these antibodies react with (agglutinate)?

Blood Type of Patient 1 \_\_\_\_\_

Blood Types that were safely transfused \_\_\_\_\_

Blood Types that were not safely transfused \_\_\_\_\_

Blood Type of Patient 2 \_\_\_\_\_

Blood Types that were safely transfused \_\_\_\_\_

Blood Types that were not safely transfused \_\_\_\_\_

Blood Type of Patient 3 \_\_\_\_\_

Blood Types that were safely transfused \_\_\_\_\_

Blood Types that were not safely transfused \_\_\_\_\_

Blood Type of Patient 4 \_\_\_\_\_

Blood Types that were safely transfused \_\_\_\_\_

Blood Types that were not safely transfused \_\_\_\_\_

Blood Type of Patient 5 \_\_\_\_\_

Blood Types that were safely transfused \_\_\_\_\_

Blood Types that were not safely transfused \_\_\_\_\_

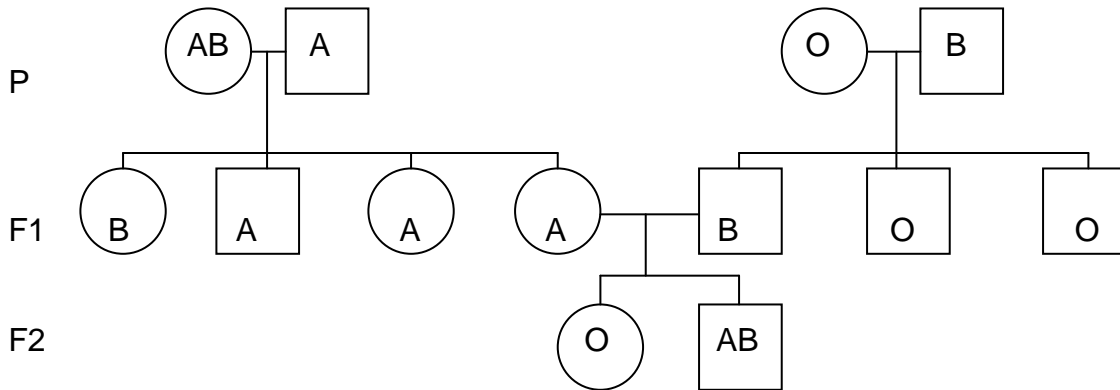
**Analysis:**

Summarize this data by filling in this chart to showing which transfusions are safe or unsafe:

If you have blood type:	You can donate to:	You can receive from:
<b>A</b>		
<b>B</b>		
<b>AB</b>		
<b>O</b>		

**Going On-**

Accurate blood tests were soon developed so that people could be transfused with the correct blood types for them. But the question of how blood type was transferred genetically was still unknown. Like most questions in genetics, the answer was found by first looking at family pedigrees. Look at the pedigree on the next page and see what clues it offers.



1. Two genes determine blood type. Which genes seem to be dominant? Which are recessive? Which are co-dominant?

2. Write both genes for each person on the pedigree.

3. Do a Punnett square for the offspring of two people with AO and BO blood type genes:

4. What blood types could children of the following couples possibly have?

a. AO x BB =

b. AB x OO=

c. OO x AO=

5. What happens when B blood is transfused in an O blood person?

**Conclusion:**